

JS 6-250 Q11

Qmax 340 m³/h - 5666 l/min (1500 USgpm) - Hmax 33 m (108 ft)

Code 4810062153



Indicative picture of the product

Product Data

Suction port
Flanged - DN150 DI 1882 TL (solder)

Delivery port
Flanged - DN150 DI 1882 TL (solder)

Qmax
340 m³/h - 5666 l/min (1500 USgpm)

Hmax
33 m (108 ft)

Solids handling
76 mm (3")

Weight
203 kg (447 lb)

EX version 

Pump with dedicated code, including thermowell predisposition for temperature sensor and glass oiler for mechanical seal quench fluid, according to **ATEX 2014/34/EU**.

Self-priming centrifugal bare shaft pump

Characteristics

The J series self-priming centrifugal pumps are used in applications where a rapid priming capacity is required from demanding suction heights combined with the ability to transfer and manage polluted fluids, dirty and abrasives with suspended large diameter solids. The system is based on an inspectable pump casing which also acts as a water tank allowing a first quick priming without auxiliary systems, simplifying management of the system and reducing the time for maintenance. Within the physically permitted suction height limits, J pumps are a more comfortable and reliable solution than submersible pumps and vertical submersed impeller pumps.

Benefits

- 1) Rapid self-priming**
Without foot valve up to a height of 7.5 m (24.5 ft)
- 2) High resistance**
To abrasive liquids which are turbid and sandy
- 3) Semi-open impeller**
High thickness casting impact resistant
- 4) Wear plate/plates**
Easily replaceable stainless steel wear plate/plates
- 5) Easy inspection and cleaning**
Removable front covers for access to the impeller

Applications

Industry:
clean, dirty, sandy, muddy, neutral, alkaline, acidic liquids; low viscous petroleum products, solvents even if dirty; milk of lime, caustic soda; washing, cooling, recirculation, smoke scrubbing.

Treatment:
pumping polluted corrosive wastewater containing sand, mud or solids in suspension; dosing neutralizing liquids; pumping out settled sludge.

Naval:
loading and unloading; bilge pumping; washing, fire-fighting, stripping, sanitary duty and circulation.

Agriculture:
surface irrigation; liquid manure oxygenation; transfer and spraying liquid manure or fertilizers; distribution of liquid animal feed; transfer of wine must; washing.

Varisco S.r.l. has certified its Quality, Environment and Safety Management System in accordance with the requirements of the international standard ISO 9001-14001-45001, recognized by the Lloyd Register.

Specification is subject to change without prior notice. Please check with your Varisco representative for the latest specifications.
Document release date: April 24th 2024

JS 6-250 Q11



PERFORMANCE CURVES

Test according to **UNI EN ISO 9906 standard - level 2B**

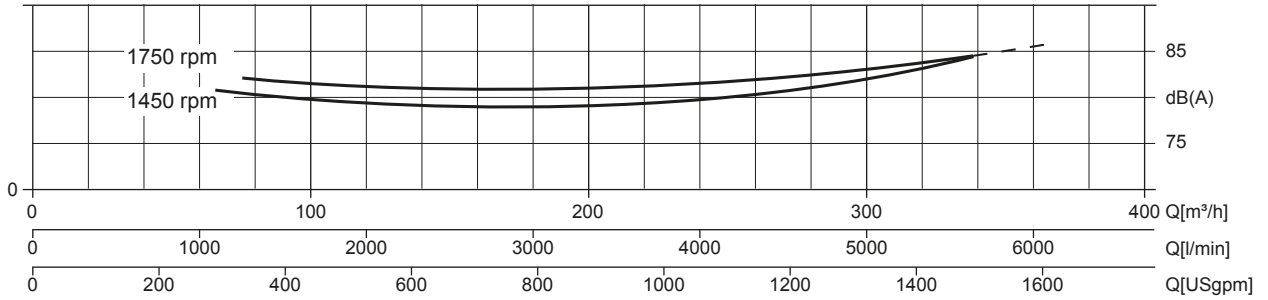
Max. applicable motor power: **30 kW - 40 HP (max 2.000 rpm)**

Test liquid: **clean water, density 1.000 kg/m³**

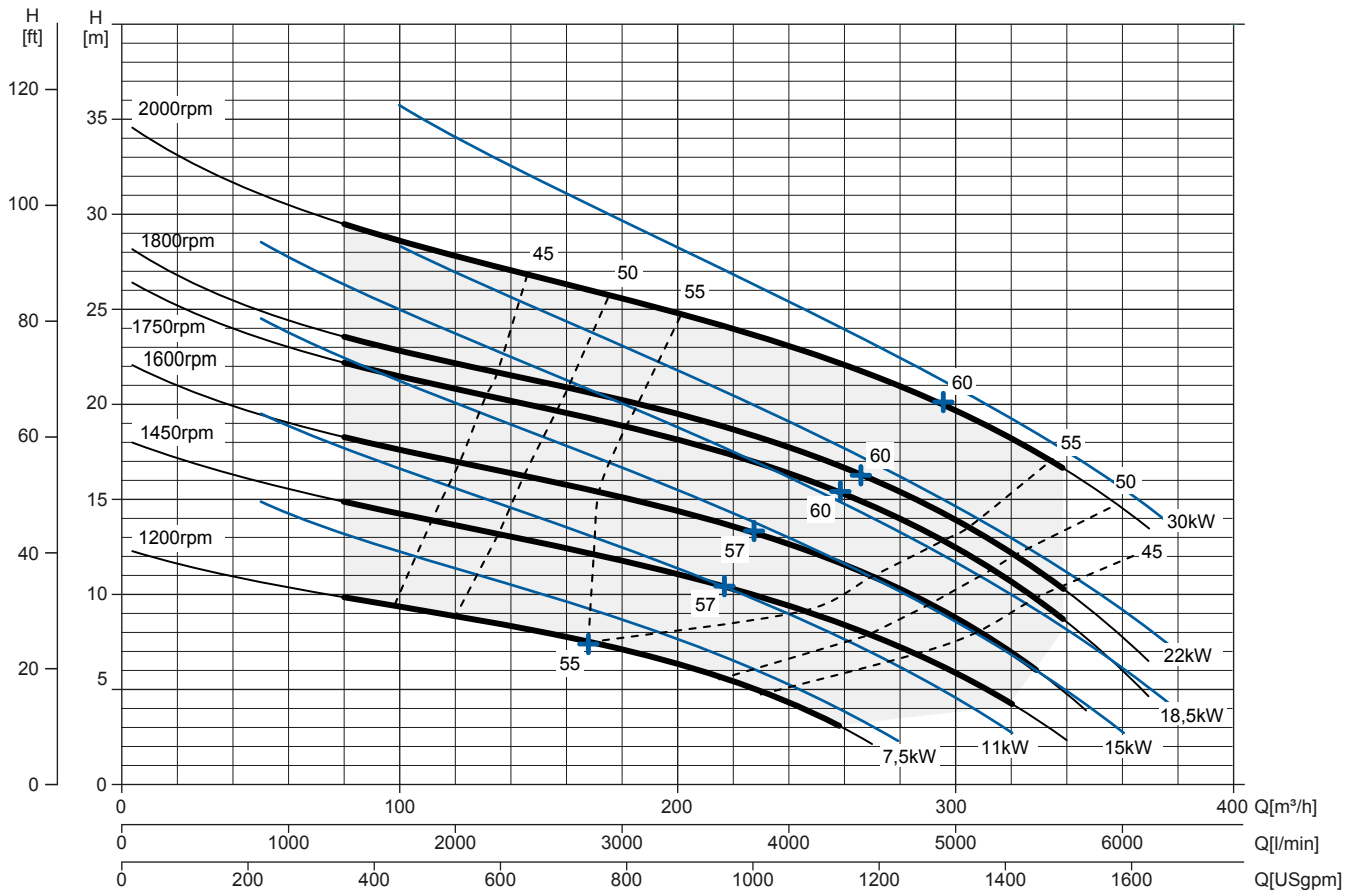
Spherical solids handling: **D.76 mm (3")**

Noise Curve

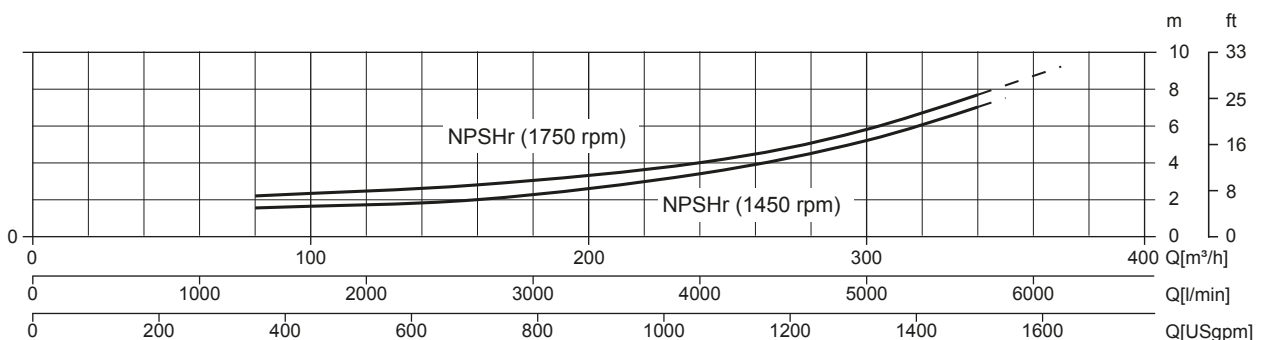
dB(A)=max noise level at 1 m



Multiple Speed Curve



NPSHr Curve



Specification is subject to change without prior notice. Please check with your Varisco representative for the latest specifications.

Document release date: April 24th 2024

JS 6-250 Q11

TECHNICAL DATA

Pump

| | |
|------------------|---|
| Pump model | JS 6-250 Q11 |
| Qmax [2.000 rpm] | 340 m ³ /h - 5666 l/min (1500 USgpm) |
| Hmax [2.000 rpm] | 33 m (108 ft) |
| Suction port | Flanged - DN150 DI 1882 TL (solder) |
| Delivery port | Flanged - DN150 DI 1882 TL (solder) |
| Impeller type | Semi-open, 2 vanes |
| Solids handling | 76 mm (3") |
| Casing | EN 1561 EN-GJL-200 cast iron + zinc anodes |
| Impeller | ASTM A351 CF3M stainless steel |
| Wear plate | ASTM A351 CF3M stainless steel |
| Non-return valve | check-valve, FKM |
| Shaft | SAF 2205 EN 10088 stainless steel |
| Mechanical seal | Silicon carbide / Silicon carbide |
| Elastomers | FKM |
| Lubrication | Grease |
| Bearing bracket | EN 1561 EN-GJL-200 cast iron, with grease lubricated ball bearings for life |

Arrangement

| | |
|-------------------------|--|
| Model | Bare shaft |
| Dimensions (L x W x H)* | 853 x 475 x 619 mm (33,6 x 18,7 x 24,4") |
| Coating | Polyurethane enamel, average thickness of 100 µm |
| Color | RAL 5010 blue (standard) |
| Height connection | 0,45 m (1,5 ft) |

*without flanged ports

Optionals

| | |
|---|--|
| Flanged ports DN150 PN16 EN1092-1 Type B | Complete pump set code available on request |
| Flanged ports 6" ANSI B16.1 Class 125 R.F. | Complete pump set code available on request |
| Automatic mechanical seal greaser | Code: 10008316 |
| Thermocouple temperature sensor for ATEX pump | TC - Range temperature from 0 up to 300°C |
| Temperature sensors for ATEX pump | PT100 - Range temperature from 0 up to 300°C |

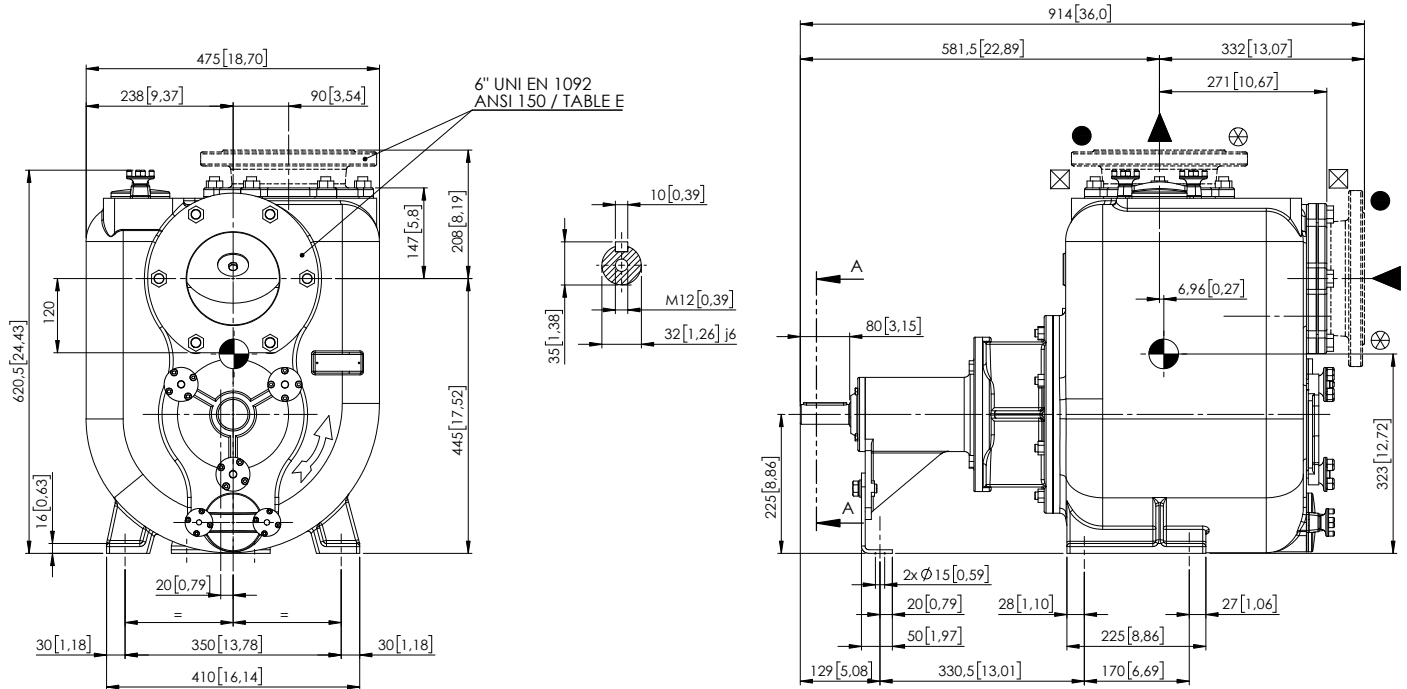
Weight

| | |
|-------------------------------|-----------------|
| Net weight | 203 kg (447 lb) |
| Gross weight (pump + packing) | 223 kg (491 lb) |

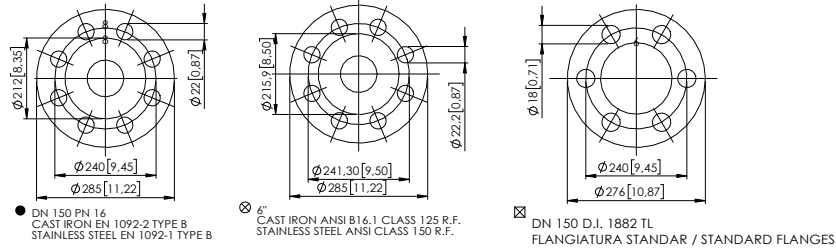
JS 6-250 Q11

DIMENSIONS

mm [in]



FLANGIATURA SU RICHIESTA / FLANGES ON REQUEST



PACKAGING DIMENSIONS

Dimensions

JS 6-250 Q11 (L x W x H)

1000 x 800 x 830 mm

Gross weight (pump + packing)

223 kg (491 lb)

